

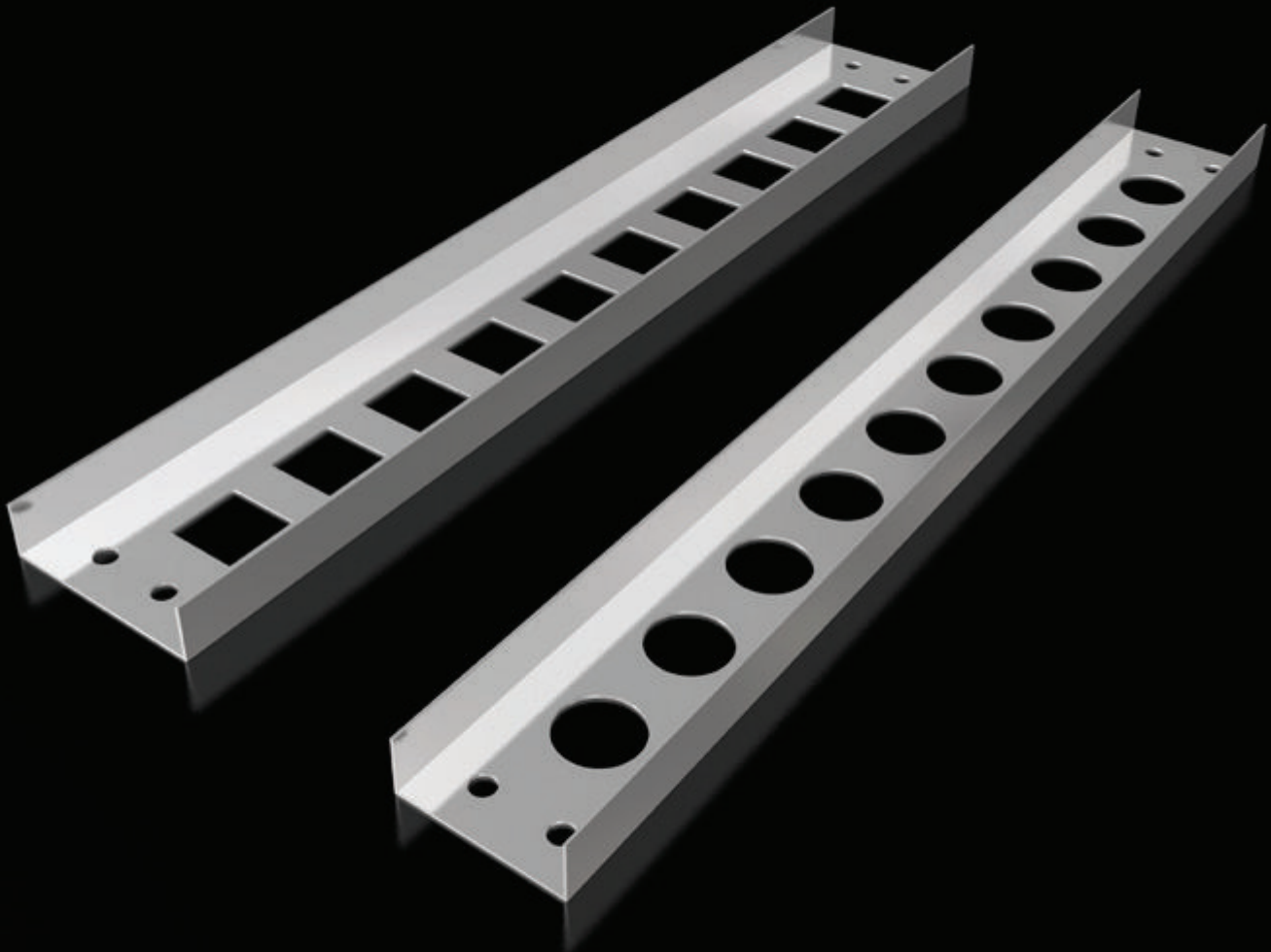


## Husky Channel

4" and 6"

Numbering System.....	Pg. 107
Horizontal Bends .....	Pg. 108
Vertical Inside Bends .....	Pg. 109
Vertical Outside Bends .....	Pg. 110
Horizontal Crosses & Tees.....	Pg. 111

*The compact size of Husky Channel Tray makes it easier to position around and connect to equipment.*





### Channel Numbering System

SSG-6-144				
P R E F I X				
<b>S</b>	<b>S</b>	<b>G-</b>	<b>6-</b>	<b>144</b>
<b>Material</b>	<b>Solid Bottom</b>	<b>Tray Type</b>	<b>Width in Inches</b>	<b>Length in Inches</b>

**Materials:**  
**A**=Aluminum  
**S**=HDGAF Steel  
**P**=Mill Galv Steel  
**4**=Stainless Steel 304  
**6**=Stainless Steel 316

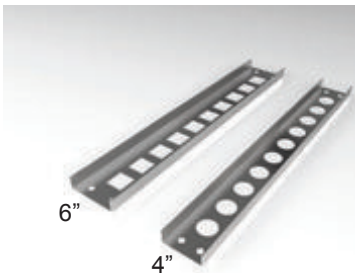
**Bottom**  
 Indicates solid bottom channel  
*Omit this "S" if you do **not** require solid bottom tray*

**Tray Types:**  
**Aluminum**  
 AG, ASG  
**Steel**  
 SG, SSG, PG, PSG, 4G, 4SG, 6G, 6SG

**Widths:**  
 4"  
 6"

**Lengths:**  
 12' (144")  
 24' (288")

### Other Technical Data



**Depth:**  
 1-3/4 inches outside with a loading depth of 1-5/8 inches inside.

**Fittings:**  
 12, 24, or 36 inch standard radii (See this section of this catalog).

**Channel Bottoms:**  
 All channels have flat bottoms and are available with or without ventilation holes. All fittings are non-ventilated.

**Splice Plates:**  
 Straight sections and fittings are supplied with splice plates and hardware.

**Safety Factor:**  
 1.5 NEMA Standard



To ensure data available is most current, please visit [www.MPHUSKY.com](http://www.MPHUSKY.com)

### Straight Sections & Fittings

Table 6.1

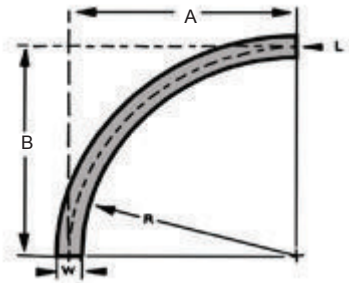
Bottom	Basic Catalog Number					Width (in inches)	Length (in inches)
	Type Prefix						
	Stainless Steel 304	Stainless Steel 316	HDGAF Steel	Mill-Galv Steel	Aluminum		
Ventilated	4G-	6G-	SG-	PG-	AG-	4", 6"	144", 288"
Solid	4SG-	6SG-	SSG-	PSG-	ASG-	4", 6"	144", 288"

### Loading Tables

Table 6.2

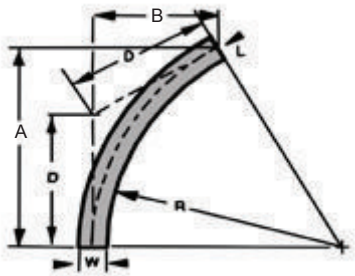
	Width (In.)	Approx. Weight (lbs./ft.)	Span (Feet)									
			6		8		10		12		14	
			Load	Defl	Load	Defl	Load	Defl	Load	Defl	Load	Defl
Steel	4	1.30	---	---	22.5	.57	14.4	.89	10.0	1.29	7.35	1.75
	6	1.43	---	---	23.5	.54	15.0	.86	10.4	1.23	7.70	1.68
Aluminum	4	.68	---	---	22.4	1.10	14.3	1.72	10.0	2.47	7.30	3.37
	6	.74	---	---	23.4	1.05	15.0	1.65	10.4	2.37	7.60	3.23

## 90° Horizontal Bend



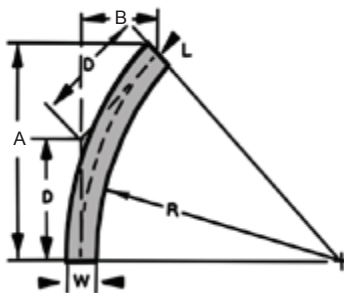
		Catalog No.		R	A	B	L
Width	Radius	Prefix	Basic				
6	36	See Table 6.1	6H90-36	34-5/8"	37-1/2"	37-1/2"	58-15/16"
	24		6H90-24	22-1/2"	25-1/2"	25-1/2"	40-1/16"
	12		6H90-12	11-7/8"	14-7/8"	14-7/8"	23-3/8"
4	36		4H90-36	34-1/2"	36-1/2"	36-1/2"	57-5/16"
	24		4H90-24	22-1/2"	24-1/2"	24-1/2"	38-1/2"
	12		4H90-12	11-7/8"	13-7/8"	13-7/8"	21-3/4"

## 60° Horizontal Bend



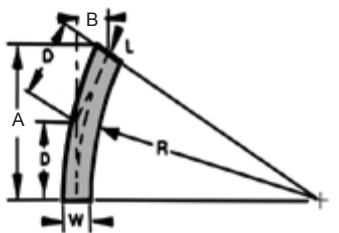
		Catalog No.		R	A	B	L	D
Width	Radius	Prefix	Basic					
6	36	See Table 6.1	6H60-36	34-5/8"	32-1/2"	18-3/4"	21-5/8"	39-1/4"
	24		6H60-24	22-1/2"	22-1/16"	12-3/4"	14-3/4"	26-11/16"
	12		6H60-12	11-7/8"	12-7/8"	7-7/16"	8-9/16"	15-9/16"
4	36		4H60-36	34-1/2"	31-5/8"	18-1/4"	21-1/16"	38-1/4"
	24		4H60-24	22-1/2"	21-3/16"	12-1/4"	14-1/8"	25-11/16"
	12		4H60-12	11-7/8"	12"	6-15/16"	8"	14-1/2"

## 45° Horizontal Bend



		Catalog No.		R	A	B	L	D
Width	Radius	Prefix	Basic					
6	36	See Table 6.1	6H45-36	34-5/8"	26-1/2"	11"	15-9/16"	29-7/16"
	24		6H45-24	22-1/2"	18"	7-1/2"	10-9/16"	20"
	12		6H45-12	11-7/8"	10-1/2"	4-3/8"	6-3/16"	11-11/16"
4	36		4H45-36	34-1/2"	25-13/16"	10-11/16"	15-1/8"	28-11/16"
	24		4H45-24	22-1/2"	17-5/16"	7-3/16"	10-1/8"	19-1/4"
	12		4H45-12	11-7/8"	9-13/16"	4-1/16"	5-3/4"	10-7/8"

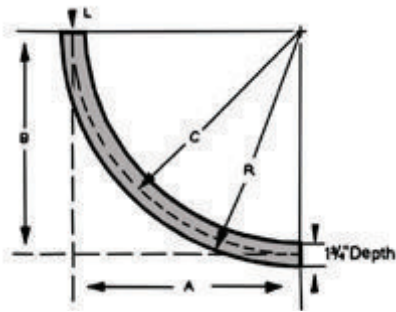
## 30° Horizontal Bend



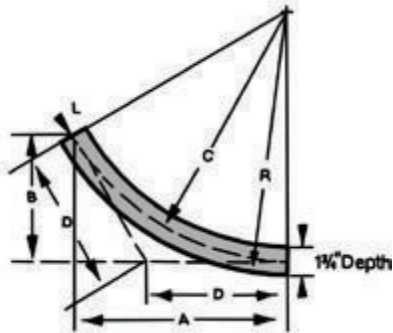
		Catalog No.		R	A	B	L	D
Width	Radius	Prefix	Basic					
6	36	See Table 6.1	6H30-36	34-5/8"	18-3/4"	5"	10-1/16"	19-5/8"
	24		6H30-24	22-1/2"	12-3/4"	3-7/16"	6-13/16"	13-5/16"
	12		6H30-12	11-7/8"	11-7/8"	2"	4"	7-3/4"
4	36		4H30-36	34-1/2"	18-1/4"	4-7/8"	9-3/4"	19-1/8"
	24		4H30-24	22-1/2"	12-1/4"	3-5/16"	6-9/16"	12-13/16"
	12		4H30-12	11-7/8"	6-15/16"	1-7/8"	3-11/16"	7-1/4"

<b>Sample Catalog Number (Prefix + Basic)</b>	<b>ASG-</b>	<b>6H30-36</b>	Aluminum Solid Bottom 30° Horizontal Bend—6"W x 36" R
---	-------------	----------------	---

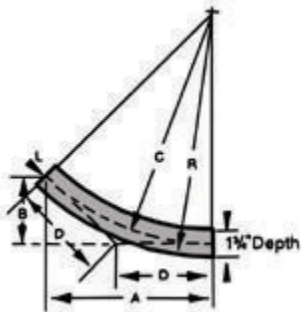
Note: All Channel fittings are non-ventilated

**90° Vertical Inside Bend**


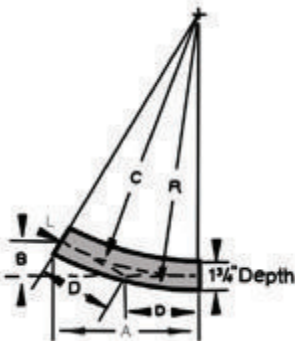
		Catalog No.		A	B	C	L
Width	Radius	Prefix	Basic				
6	36	See Table 6.1	6VI90-36	35-1/8"	35-1/8"	35-1/8"	55-3/16"
	24		6VI90-24	23-1/8"	23-1/8"	23-1/8"	36-5/16"
	12		6VI90-12	11-1/8"	11-1/8"	11-1/8"	17-1/2"
4	36		4VI90-36	35-1/8"	35-1/8"	35-1/8"	55-3/16"
	24		4VI90-24	23-1/8"	23-1/8"	23-1/8"	36-5/16"
	12		4VI90-12	11-1/8"	11-1/8"	11-1/8"	17-1/2"

**60° Vertical Inside Bend**


		Catalog No.		A	B	C	D	L
Width	Radius	Prefix	Basic					
6	36	See Table 6.1	6VI60-36	30-7/16"	17-5/8"	35-1/8"	20-5/16"	36-13/16"
	24		6VI60-24	20"	11-9/16"	23-1/8"	13-3/8"	24-3/16"
	12		6VI60-12	9-5/8"	5-9/16"	11-1/8"	6-7/16"	11-5/8"
4	36		4VI60-36	30-7/16"	17-5/8"	35-1/8"	20-5/16"	36-13/16"
	24		4VI60-24	20"	11-9/16"	23-1/8"	13-3/8"	24-3/16"
	12		4VI60-12	9-5/8"	5-9/16"	11-1/8"	6-7/16"	11-5/8"

**45° Vertical Inside Bend**


		Catalog No.		A	B	C	D	L
Width	Radius	Prefix	Basic					
6	36	See Table 6.1	6VI45-36	24-7/8"	10-5/16"	35-1/8"	14-9/16"	27-9/16"
	24		6VI45-24	16-3/8"	6-3/4"	23-1/8"	9-9/16"	18-3/16"
	12		6VI45-12	7-7/8"	3-1/4"	11-1/8"	4-5/8"	8-3/4"
4	36		4VI45-36	24-7/8"	10-5/16"	35-1/8"	14-9/16"	27-9/16"
	24		4VI45-24	16-3/8"	6-3/4"	23-1/8"	9-9/16"	18-3/16"
	12		4VI45-12	7-7/8"	3-1/4"	11-1/8"	4-5/8"	8-3/4"

**30° Vertical Inside Bend**


		Catalog No.		A	B	C	D	L
Width	Radius	Prefix	Basic					
6	36	See Table 6.1	6VI30-36	17-9/16"	4-3/4"	35-1/8"	9-7/16"	18-3/8"
	24		6VI30-24	11-9/16"	3-1/16"	23-1/8"	6-3/16"	12-1/8"
	12		6VI30-12	5-9/16"	1-1/2"	11-1/8"	3"	5-13/16"
4	36		4VI30-36	17-9/16"	4-3/4"	35-1/8"	9-7/16"	18-3/8"
	24		4VI30-24	11-9/16"	3-1/16"	23-1/8"	6-3/16"	12-1/8"
	12		4VI30-12	5-9/16"	1-1/2"	11-1/8"	3"	5-13/16"

Sample Catalog Number  
(Prefix + Basic)

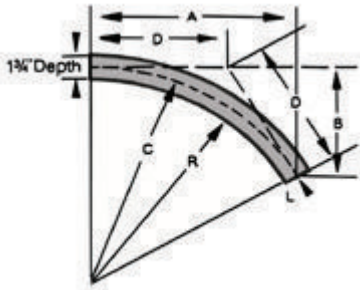
**6SG-**

**6VI30-24**

316 Stainless Steel Solid Bottom  
30° Vertical Inside Bend-6"W x 24"R

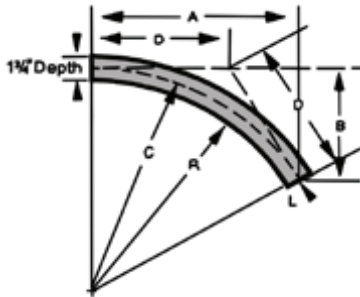
Note: All Channel fittings are non-ventilated

## 90° Vertical Outside Bend



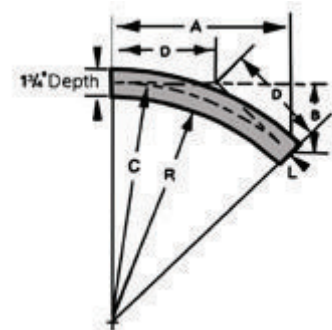
Width	Radius	Catalog No.		A	B	C	L
		Prefix	Basic				
6	36	See Table 6.1	6VO90-36	36-7/8"	36-7/8"	36-7/8"	57-15/16"
	24		6VO90-24	24-7/8"	24-7/8"	24-7/8"	39-1/16"
	12		6VO90-12	12-7/8"	12-7/8"	12-7/8"	20-1/4"
4	36		4VO90-36	36-7/8"	36-7/8"	36-7/8"	57-15/16"
	24		4VO90-24	24-7/8"	24-7/8"	24-7/8"	39-1/16"
	12		4VO90-12	12-7/8"	12-7/8"	12-7/8"	20-1/4"

## 60° Vertical Outside Bend



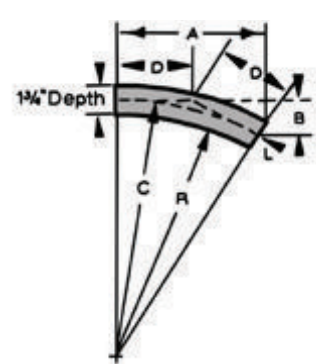
Width	Radius	Catalog No.		A	B	C	D	L
		Prefix	Basic					
6	36	See Table 6.1	6VO60-36	31-15/16"	18-7/16"	36-7/8"	21-5/16"	38-5/8"
	24		6VO60-24	21-9/16"	12-7/16"	24-7/8"	14-3/8"	26-1/16"
	12		6VO60-12	11-1/8"	6-7/16"	12-7/8"	7-7/16"	13-7/16"
4	36		4VO60-36	31-15/16"	18-7/16"	36-7/8"	21-5/16"	38-5/8"
	24		4VO60-24	21-9/16"	12-7/16"	24-7/8"	14-3/8"	26-1/16"
	12		4VO60-12	11-1/8"	6-7/16"	12-7/8"	7-7/16"	13-7/16"

## 45° Vertical Outside Bend



Width	Radius	Catalog No.		A	B	C	D	L
		Prefix	Basic					
6	36	See Table 6.1	6VO45-36	26-1/16"	10-3/4"	36-7/8"	15-1/4"	28-15/16"
	24		6VO45-24	17-9/16"	7-5/16"	24-7/8"	10-5/16"	19-9/16"
	12		6VO45-12	9-1/8"	3-3/4"	12-7/8"	5-5/16"	10-1/8"
4	36		4VO45-36	26-1/16"	10-3/4"	36-7/8"	15-1/4"	28-15/16"
	24		4VO45-24	17-9/16"	7-5/16"	24-7/8"	10-5/16"	19-9/16"
	12		4VO45-12	9-1/8"	3-3/4"	12-7/8"	5-5/16"	10-1/8"

## 30° Vertical Outside Bend

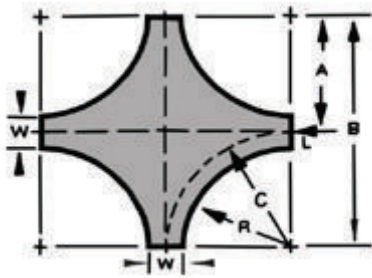


Width	Radius	Catalog No.		A	B	C	D	L
		Prefix	Basic					
6	36	See Table 6.1	6VO30-36	18-7/16"	4-15/16"	36-7/8"	9-7/8"	19-5/16"
	24		6VO30-24	12-7/16"	3-5/16"	24-7/8"	6-5/8"	13"
	12		6VO30-12	5-7/16"	1-3/4"	12-7/8"	3-7/16"	6-3/4"
4	36		4VO30-36	18-7/16"	4-15/16"	36-7/8"	9-7/8"	19-5/16"
	24		4VO30-24	12-7/16"	3-5/16"	24-7/8"	6-5/8"	13"
	12		4VO30-12	5-7/16"	1-3/4"	12-7/8"	3-7/16"	6-3/4"

<b>Sample Catalog Number (Prefix + Basic)</b>	<b>SSG-</b>	<b>6VO45-12</b>	HDGAF Steel Solid Bottom 45° Vertical Outside Bend—6"W x 12" R
---	-------------	-----------------	--

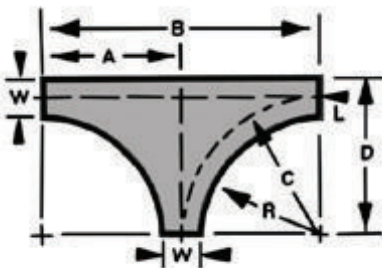
Note: All Channel fittings are non-ventilated

**Horizontal Cross**



Width	Radius	Catalog No.		A	B	C	L
		Prefix	Basic				
6	36	See Table 6.1	6X-36	39"	78"	39"	61-1/4"
	24		6X-24	27"	54"	27"	42-3/8"
	12		6X-12	15"	30"	15"	23-1/2"
4	36		4X-36	38"	76"	38"	59-11/16"
	24		4X-24	26"	52"	26"	40-13/16"
	12		4X-12	14"	28"	14"	21"

**Horizontal Tee**



Width	Radius	Catalog No.		A	B	C	D	L
		Prefix	Basic					
6	36	See Table 6.1	6T-36	39"	78"	39"	42"	61-1/4"
	24		6T-24	27"	54"	27"	30"	42-3/8"
	12		6T-12	15"	30"	15"	18"	23-1/2"
4	36		4T-36	38"	76"	38"	40"	59-11/16"
	24		4T-24	26"	52"	26"	28"	40-15/16"
	12		4T-12	14"	28"	14"	16"	21"

9-CHANNEL

Sample Catalog Number (Prefix + Basic)	ASG-	6X-36	Aluminum Solid Bottom—Horizontal Cross—6"W x 36" R
---	------	-------	--

Note: All Channel fittings are non-ventilated